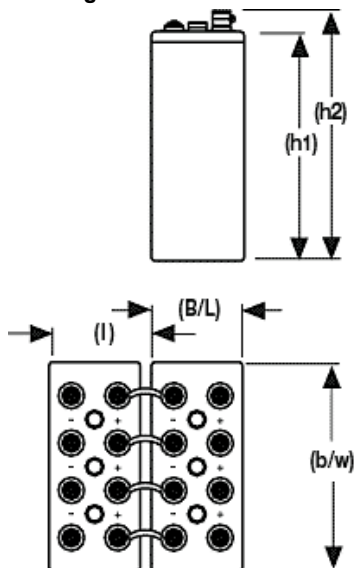


Sonnenschein 20 OPzV 2500

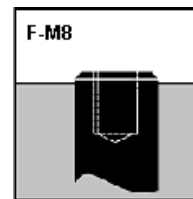
A602/2500 data sheet



Drawing:



Terminal:



Meets: UL94 HB

Specifications:

Type	Part number	DIN reference	Nom. Voltage	C10 1,80 VpC 20°C Ah	Short circuit current acc. IEC896/2	Length mm	Installed length mm	Width mm	Height mm	Height h2 mm	Weight Kg.	Internal resistance acc. IEC896/2 mOhm	Terminal	Pole pairs
20 OPzV 2500 A602/2500	NGA6022500HS0FA	20 OPzV 2500	2	2500	17500	215	223	490	775	815	200	0.12	F-M8	4

Part numbers not valid for North America, use type for ordering!

Constant-current discharge in A (@20°C):

Part number	Type	Volt	10min	15min	30min	1h	2h	3h	5h	8h	10h
NGA6022500HS0FA	20OPzV2500	1.90	811.0	789.0	741.0	657.0	500.0	412.0	312.0	232.0	198.0
NGA6022500HS0FA	20OPzV2500	1.87	993.0	957.0	895.0	760.0	583.0	480.0	362.0	266.0	230.0
NGA6022500HS0FA	20OPzV2500	1.83	1,334.0	1,284.0	1,122.0	988.0	700.0	573.0	445.0	310.0	250.0
NGA6022500HS0FA	20OPzV2500	1.80	1,451.0	1,413.0	1,274.0	1,079.0	771.0	615.0	469.0	312.0	258.0
NGA6022500HS0FA	20OPzV2500	1.75	1,685.0	1,658.0	1,510.0	1,203.0	863.0	668.0	482.0	317.0	258.0
NGA6022500HS0FA	20OPzV2500	1.70	2,013.0	1,912.0	1,640.0	1,351.0	926.0	703.0	489.0	324.0	258.0
NGA6022500HS0FA	20OPzV2500	1.65	2,210.0	2,080.0	1,812.0	1,491.0	966.0	723.0	489.0	324.0	258.0
NGA6022500HS0FA	20OPzV2500	1.60	2,560.0	2,395.0	1,990.0	1,562.0	982.0	731.0	489.0	324.0	258.0

Constant-power discharge in W/cell (@20°C):

Part number	Type	Volt	3min	5min	10min	15min	20min	30min	1h	1_5h
NGA6022500HS0FA	20OPzV2500	1.90	1,606.1	1,541.2	1,457.4	1,410.5	1,378.2	1,333.9	1,261.3	1,220.7
NGA6022500HS0FA	20OPzV2500	1.87	2,303.8	2,182.5	2,061.3	1,940.0	1,818.8	1,697.5	1,484.3	1,331.2
NGA6022500HS0FA	20OPzV2500	1.83	2,606.9	2,522.0	2,425.0	2,303.8	2,206.8	2,061.3	1,757.7	1,500.3
NGA6022500HS0FA	20OPzV2500	1.80	2,910.0	2,800.9	2,691.8	2,606.9	2,485.6	2,364.4	1,955.1	1,619.9
NGA6022500HS0FA	20OPzV2500	1.75	3,244.7	3,156.1	3,043.4	2,934.3	2,861.5	2,667.5	2,253.5	1,815.4
NGA6022500HS0FA	20OPzV2500	1.70	3,451.5	3,395.0	3,298.0	3,188.9	3,104.0	2,918.8	2,456.3	1,963.1
NGA6022500HS0FA	20OPzV2500	1.65	3,838.8	3,752.2	3,637.8	3,516.3	3,395.0	3,145.5	2,612.0	2,067.9
NGA6022500HS0FA	20OPzV2500	1.60	3,989.1	3,880.0	3,744.6	3,649.6	3,564.8	3,367.5	2,758.5	2,144.9