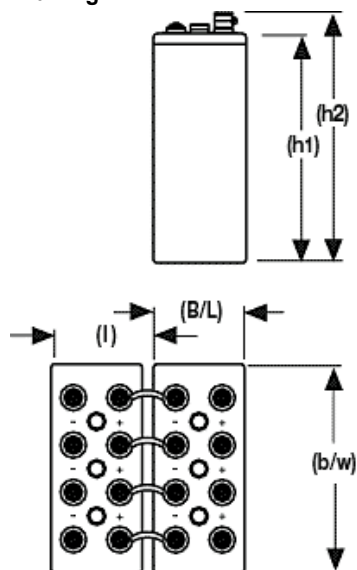


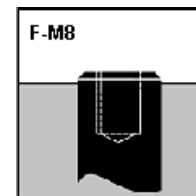
# Sonnenschein 24 OPzV 3000 A602/3000 data sheet



Drawing:



Terminal:



Meets: UL94 HB

## Specifications:

Type	Part number	DIN reference	Nom. Voltage	C10 1,80 VpC 20°C Ah IEC896/2	Short circuit current acc. IEC896/2	Length mm	Installed length mm	Width mm	Height mm	Height h2 mm	Weight Kg.	Internal resistance acc. IEC896/2 mOhm	Terminal	Pole pairs
24 OPzV 3000 A602/3000	NGA6023000HS0FA	24 OPzV 3000	2	3000	21000	215	223	580	775	815	240	0.1	F-M8	4

Part numbers not valid for North America, use type for ordering!

## Constant-current discharge in A (@20°C):

Part number	Type	Volt	10min	15min	30min	1h	2h	3h	5h	8h	10h
NGA6023000HS0FA	24OPzV3000	1.90	1,094.0	1,067.0	1,022.0	837.0	650.0	573.0	427.0	309.0	261.0
NGA6023000HS0FA	24OPzV3000	1.87	1,124.0	1,094.0	1,044.0	930.0	709.0	614.0	478.0	340.0	288.0
NGA6023000HS0FA	24OPzV3000	1.83	1,601.0	1,541.0	1,347.0	1,186.0	839.0	687.0	534.0	367.0	305.0
NGA6023000HS0FA	24OPzV3000	1.80	1,742.0	1,696.0	1,528.0	1,295.0	925.0	738.0	562.0	373.0	309.0
NGA6023000HS0FA	24OPzV3000	1.75	2,022.0	1,989.0	1,813.0	1,444.0	1,035.0	802.0	579.0	378.0	309.0
NGA6023000HS0FA	24OPzV3000	1.70	2,415.0	2,293.0	1,993.0	1,621.0	1,112.0	843.0	587.0	391.0	309.0
NGA6023000HS0FA	24OPzV3000	1.65	2,653.0	2,497.0	2,131.0	1,789.0	1,159.0	868.0	587.0	391.0	309.0
NGA6023000HS0FA	24OPzV3000	1.60	3,072.0	2,874.0	2,388.0	1,874.0	1,178.0	877.0	587.0	391.0	309.0

## Constant-power discharge in W/cell (@20°C):

Part number	Type	Volt	3min	5min	10min	15min	20min	30min	1h	1_5h
NGA6023000HS0FA	24OPzV3000	1.90	1,927.3	1,849.5	1,748.9	1,692.7	1,653.8	1,600.6	1,513.6	1,464.9
NGA6023000HS0FA	24OPzV3000	1.87	2,764.5	2,619.0	2,473.5	2,328.0	2,182.5	2,037.0	1,781.2	1,597.4
NGA6023000HS0FA	24OPzV3000	1.83	3,128.3	3,026.4	2,910.0	2,764.5	2,648.1	2,473.5	2,109.3	1,800.4
NGA6023000HS0FA	24OPzV3000	1.80	3,492.0	3,361.1	3,230.1	3,128.3	2,982.8	2,837.3	2,346.2	1,943.9
NGA6023000HS0FA	24OPzV3000	1.75	3,893.6	3,787.4	3,652.1	3,521.1	3,433.8	3,201.0	2,704.2	2,178.5
NGA6023000HS0FA	24OPzV3000	1.70	4,000.0	4,000.0	3,957.6	3,826.7	3,724.8	3,502.5	2,947.5	2,355.8
NGA6023000HS0FA	24OPzV3000	1.65	4,000.0	4,000.0	4,000.0	4,000.0	4,000.0	3,774.6	3,134.4	2,481.4
NGA6023000HS0FA	24OPzV3000	1.60	4,000.0	4,000.0	4,000.0	4,000.0	4,000.0	4,000.0	3,310.2	2,573.9