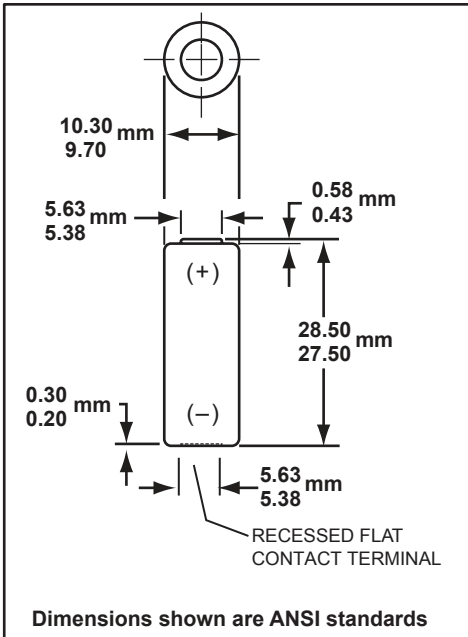




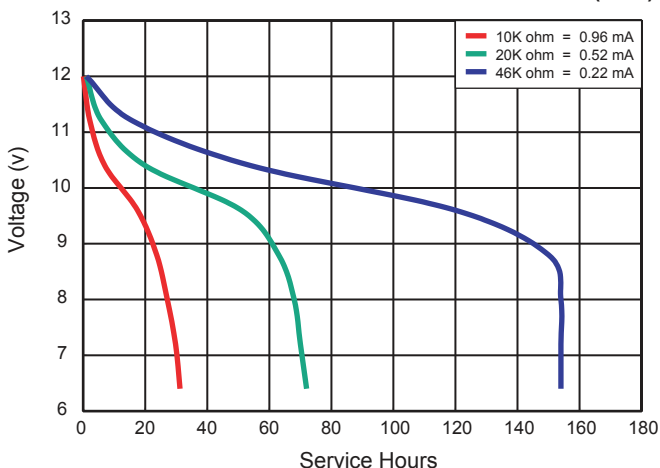
## Alkaline Manganese Dioxide Battery

### Specifications

<b>Classification:</b>	Cylindrical Alkaline
<b>Chemical System:</b>	Alkaline-Manganese Dioxide (Zn/MnO <sub>2</sub> )
<b>Designation:</b>	NEDEA- 1811A, IEC-3LR50
<b>Nominal Voltage:</b>	12V
<b>Closed Circuit Voltage:</b>	9.5V (min) (Load resistor 400Ω at 20°C for 0.1 s)
<b>Operating Temp:</b>	-20°C to 54°C (-4°F to 130°F)
<b>Storage Temp:</b>	5°C to 30°C
<b>Typical Weight:</b>	7.98 g
<b>Typical Volume:</b>	2.3 cubic centimeters (.14 cubic inch)
<b>Typical Impedance:</b>	22 ohm @ 1kHz
<b>Freshness Guarantee:</b>	5 years @ 20°C



TYPICAL DISCHARGE CHARACTERISTICS AT 21°C (70°F)



# DURACELL®

## BATTERIES

Berkshire Corporate Park  
 Bethel, CT 06801 U.S.A.  
 Telephone: Toll free 1.800.544.5454  
 Internet: [www.duracell.com](http://www.duracell.com)

**\*Delivered capacity is dependent on the applied load, intermittent usage, operating temperature and cut off voltage. Please refer to the charts and discharge data for examples of energy/service life that the battery will provide for various conditions.**

Information and contents in this data sheet are for reference purposes only. They do not constitute any warranty and representation is subject to change without notice. For most current information and further details, please contact Duracell.