

Cod. 08412182

VRLA BATTERY AGM TECHNOLOGY

Revision 4.0

Specifications

Nominal Voltage (V) 12V

Nominal Capacity

20 hour rate	(1.32A to 10.50V)	26.4Ah
10 hour rate	(2.5A to 10.50V)	25.0Ah
5 hour rate	(4.52A to 10.20V)	22.6Ah
1 C	(17.3A to 9.60V)	7.3Ah

Weight Approx. **6.85kg (14.39 Lbs.)**

Maximum Discharge Current for

5 seconds: 302A

Charging Methods at 25°C (77°F)

Cycle use:

Charging Voltage 14.4 to 15.0V

Coefficient -5.0mv/°C/cell

Maximum Charging Current: 7.9A

Standby use:

Float Charging Voltage 13.50 to 13.80V

Coefficient -3.0mv/°C/cell

Operating Temperature Range

Charge -15°C (5°F) to 40 °C (104°F)

Discharge -15°C (5°F) to 50 °C (122°F)

Storage -15°C (5°F) to 40 °C (104°F)

Charge Retention (shelf life) at 20°C (68°F)

1 month 92%

3 month 90%

6 month 80%

Case Material ABS UL94HB

(Option: ABS UL94 V-0 flame retardant)

Terminal FM5

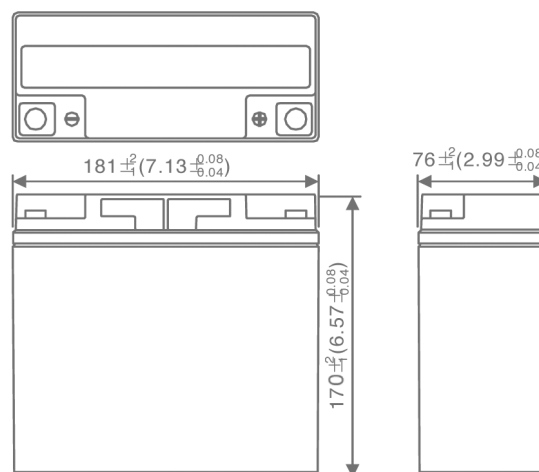
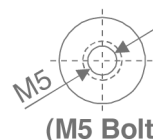
Description of torque value of hard ware for the terminals:

Reccomended torque value M5: 2.94 N-m (30kg-cm)

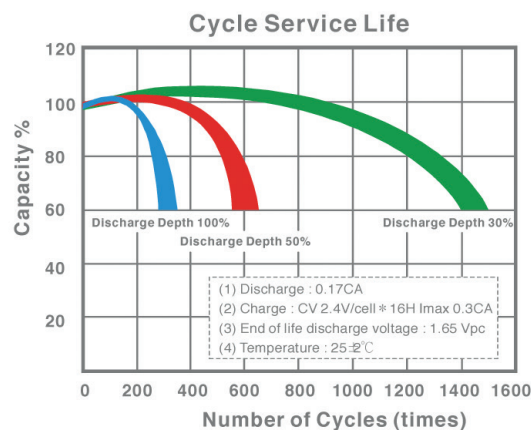
Maximum allowable torque value M5: 4.90 N-m (50kg-cm)

ENERGY *Cyclic*
SAFE

Dimensions mm (inch)



Dimensions: mm. 181 x 76 x 170 H



All data is subject to change without notice