

ENERGY SAFE

08412200

Energy Safe Valve Regulated Lead Acid battery.
5 year design life for stand by power applications.

Innovative Features

Completely maintenance free, sealed construction eliminates the need for watering

Fully tank formed plates

Analytical Grade electrolyte

Spill proof / leak proof

Valve regulated Max internal pressure 2.5 psi

Multi-position usage

ABS Case and cover - V0 on request

Low self discharge

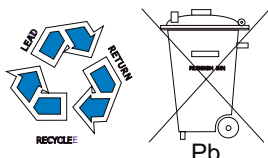
FAA and IATA approved as non-hazardous

Built to comply with IEC 896-2, DIN 43534, BS 6290 Pt4, Eurobat.



Specifications

Nominal Voltage	12 Volts
Nominal Capacity	204 Ah (C20 @ 20 °C)
Design Life	5 Years
Operating Temperature	-20 °C to 50 °C
Grid alloy	Calcium / Tin lead alloy
Plates	Flat Pasted Absorbant Glass Mat
Active material	Very high purity lead
Case and cover	ABS (VO on request)
Charge Voltage	Float 2.25 - 2.30 VPC @25 °C Cycling 2.35 @25 °C Max. 2.4 VPC Max ripple 0.05C (A)
Venting Valve	Sulphuric acid Analytical grade purity EPDM rubber 1.5 to 2 psi (10.5 - 14kPa) release pressure at 1 psi (7 kPa)
Terminal	Epoxy sealed by extended mechanical paths



Accu Italia SpA keenly encourages environmental awareness; PLEASE follow guidelines for the recycling /disposal of lead.

Website: www.accu-italia.com
E mail : infoaccu@accu-italia.com

Sealed Lead Acid 12 Volt Bloc AGM Range
PRODUCT SHEET 08412200

12V
AGM

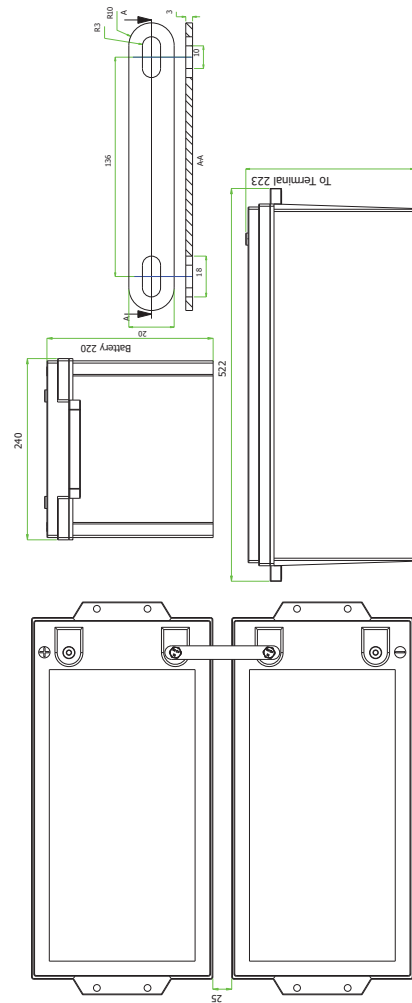
Specifications

Nominal Voltage		12 V	
Nominal Capacity		204 Ah	
Dimensions	Height	220mm	8.43inches
	(To terminals)	223 mm	8.77inches
	Length	522mm	20.55inches
	Width	240mm	9.45 inches
	Weight	53.0Kg	117.1lbs

Characteristics

Capacity 20 °C (68 °F) to 1.75 volts	20 hour rate	204.0 Ah
	10 hour rate	182.0 Ah
	5 hour rate	160.5 Ah
	1 hour rate	128.0 Ah
	15 min rate	71.8 Ah
	Internal Resistance	-- mOhms
Capacity correction for Temperature Variations (C20)	Impedance	S
	40 °C (104 °F)	102%
	20 °C (68 °F)	100%
	0 °C (32 °F)	85%
Self-Discharge 20 °C (68 °F)	-15 °C (5 °F)	65%
	Capacity after 1 months storage	98%
	Capacity after 3 months storage	94%
Short Circuit Current 20 °C (68 °F)	Capacity after 6 months storage	86%

Terminal	Standard	Insert
	Optional	
Charging (Constant Voltage)	Cyclic	2.35 - 2.40 VPC (20-25 °C)
	Float	2.27 - 2.30 VPC (15-25 °C)



Constant Power Discharge - Watts per Cell @20 °C

End V per Cell	5M	10M	15M	20M	25M	30M	35M	40M	45M	60M	90M	2 hr	3 hr	4 hr	5 hr	8 hr	10 hr	12 hr	20 hr
1.85	570	493	439	395	361	333	309	287	269	223	160	125	87.6	66.8	-	-	-	-	-
1.80	684	547	478	425	383	352	323	300	279	229	165	128	90.0	68.6	-	-	-	-	-
1.75	734	576	497	441	396	364	333	308	287	235	167	131	91.5	69.9	-	-	-	-	-
1.70	777	608	518	457	410	373	341	316	290	238	170	133	93.2	70.8	-	-	-	-	-
1.65	835	630	532	464	416	378	346	320	298	240	172	134	93.8	71.6	-	-	-	-	-
1.60	878	648	549	477	425	386	353	324	302	243	173	135	94.6	72.2	-	-	-	-	-

Constant Amps Discharge - Amps @20 °C

End V per Cell	5M	10M	15M	20M	25M	30M	35M	40M	45M	60M	90M	2 hr	3 hr	4 hr	5 hr	8 hr	10 hr	12 hr	20 hr
1.85	325	280	241	217	199	182	169	158	148	120	85.6	67.0	47.6	37.1	30.8	20.8	17.3	14.8	9.68
1.80	408	325	271	242	216	196	179	167	156	125	89.1	69.3	49.0	38.0	31.6	21.5	17.9	15.3	10.0
1.75	444	342	287	253	227	204	186	173	160	128	90.7	70.5	49.8	38.7	32.1	21.8	18.2	15.6	10.2
1.70	460	356	299	261	232	208	190	176	163	130	92.1	71.7	50.8	39.5	32.7	22.2	18.5	15.8	10.4
1.65	474	369	307	266	236	212	193	178	166	131	92.9	72.3	51.3	39.9	-	-	-	-	-
1.60	501	383	314	271	240	215	196	181	167	132	93.6	72.9	51.7	40.2	-	-	-	-	-

Ampere Hour @20 °C

End V per Cell	2 hr	3 hr	4 hr	5 hr	8 hr	10 hr	12 hr	20 hr
1.85	134.0	142.8	148.4	154.0	166.4	173.0	177.6	193.6
1.80	138.6	147.0	152.0	158.0	172.0	179.0	183.6	200.0
1.75	141.0	149.4	154.8	160.5	174.4	182.0	187.2	204.0
1.70	143.4	152.4	158.0	163.5	177.6	185.0	189.6	208.0



UL Recognised
Component
MH28512

