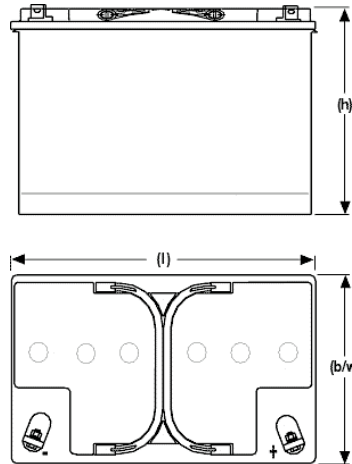


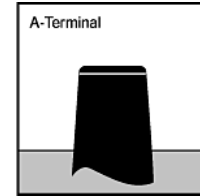
# Sonnenschein A512/60 A data sheet



### Drawing:



### Terminal:



Meets: UL94 HB

### Specifications:

Type	Part number	Nom. Voltage	C20 1,75 VpC 20°C C IEC896/2 Ah	Short circuit current acc.	Length mm	Width mm	Height mm	Height top of cover mm	Height over terminals mm	Weight Kg.	Internal resistance acc. IEC896/2 mOhm	Max. Load approx. A	Max. perm current 5 secs. A	Terminal
A512/60 A	NGA5120060HS0CA	12	60	1887	278	175	190	190	190	21.8	6.6	400	1500	A-Terminal

Part numbers not valid for North America, use type for ordering!

### Constant-current discharge in A (@20°C):

Part number	Type	Volt	5min	10min	15min	20min	30min	1h	2h	3h	5h	8h	10h
NGA5120060HS0CA	A512/60A	1.85	122.8	100.8	82.4	69.2	54.2	33.8	21.5	15.3	9.9	6.6	5.4
NGA5120060HS0CA	A512/60A	1.80	145.8	108.9	91.9	75.9	58.1	35.5	22.3	15.8	10.3	6.8	5.6
NGA5120060HS0CA	A512/60A	1.75	168.0	118.1	98.3	80.4	60.5	36.4	22.7	16.1	10.4	6.9	5.6
NGA5120060HS0CA	A512/60A	1.70	178.3	125.2	101.7	82.6	61.6	36.9	22.9	16.2	10.4	6.9	5.6
NGA5120060HS0CA	A512/60A	1.65	185.2	130.3	102.8	83.2	61.7	37.1	23.0	16.2	10.4	6.9	5.6
NGA5120060HS0CA	A512/60A	1.60	191.0	133.3	103.4	83.5	61.8	37.2	23.0	16.2	10.4	6.9	5.6

### Constant-power discharge in W/block (@20°C):

Part number	Type	Volt	3min	5min	10min	15min	20min	30min	45min	1h	1_5h
NGA5120060HS0CA	A512/60A	1.85	1,618.0	1,414.0	1,096.0	963.0	807.0	625.0	459.0	369.0	271.0
NGA5120060HS0CA	A512/60A	1.80	1,955.0	1,634.0	1,181.0	1,041.0	873.0	669.0	489.0	390.0	283.0
NGA5120060HS0CA	A512/60A	1.75	2,267.0	1,837.0	1,274.0	1,071.0	915.0	693.0	505.0	400.0	288.0
NGA5120060HS0CA	A512/60A	1.70	2,406.0	2,022.0	1,348.0	1,088.0	940.0	707.0	514.0	405.0	290.0
NGA5120060HS0CA	A512/60A	1.65	2,548.0	2,176.0	1,404.0	1,098.0	954.0	715.0	519.0	409.0	292.0
NGA5120060HS0CA	A512/60A	1.60	2,680.0	2,279.0	1,439.0	1,104.0	963.0	719.0	522.0	410.0	293.0