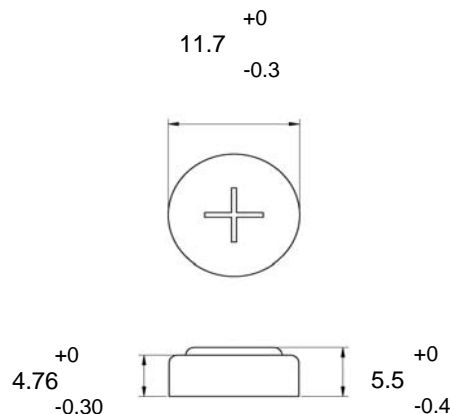


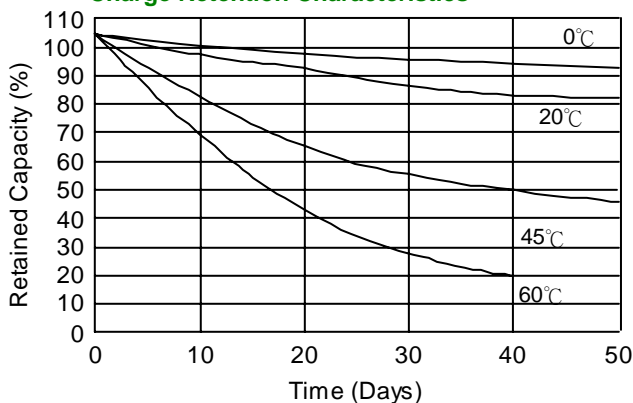
### Model No.: GP40BVH

<b>Type</b>	: Rechargeable Nickel Metal Hydride Button Cell
<b>Nominal Dimension (with Sleeve)</b>	: $\Phi = 11.7\text{mm}$ H = 5.5mm
<b>Applications</b>	: Recommended discharge current 0.4 to 20 mA
<b>Nominal Voltage</b>	: 1.2V
<b>Capacity</b>	: Nominal: 40mAh Minimum: 40mAh Typical: 48mAh When discharged at 0.2C to 1.0V at 20°C
<b>Charging Condition</b>	: 4 mA for 16 hrs at 20°C
<b>Service Life</b>	: >500 cycles (IEC standard)
<b>Continuous Overcharge</b>	: 4 mA maximum current for 1 year No conspicuous deformation and/or leakage
<b>Weight</b>	: 1.98g
<b>Internal Resistance</b>	: Under 800 m $\Omega$ upon fully charged
<b>Max. Charging Voltage</b>	: 1.5V at 4mA charging
<b>Ambient Temperature Range</b>	: Standard Charging : 0 to 65°C Discharging : -20 to 65°C Storage : -40 to 65°C

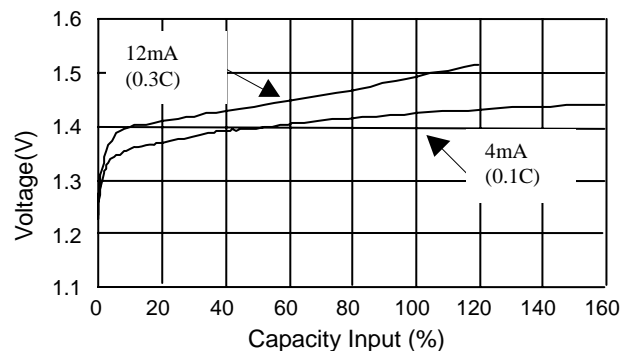


Unit : mm

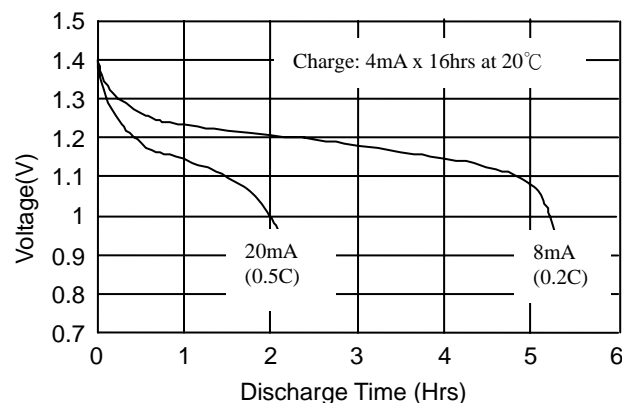
#### Charge Retention Characteristics



#### Charge Characteristics



#### Discharge Characteristics



The information (subject to change without prior notice) contained in this document is for reference only and should not be used as a basis for product guarantee or warranty. For applications other than those described here, please consult your nearest GP Sales and Marketing Office or Distributors.