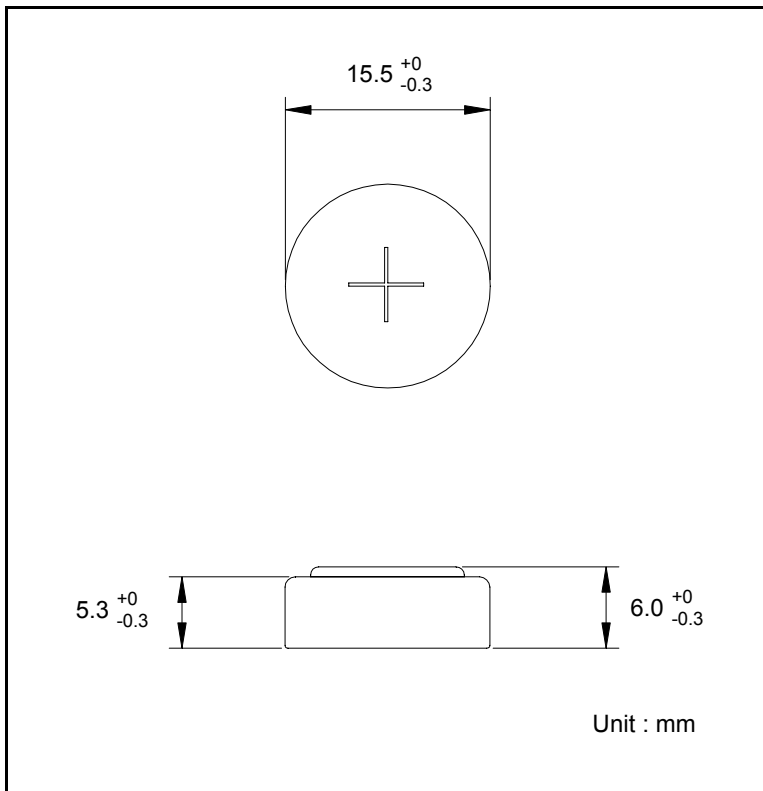
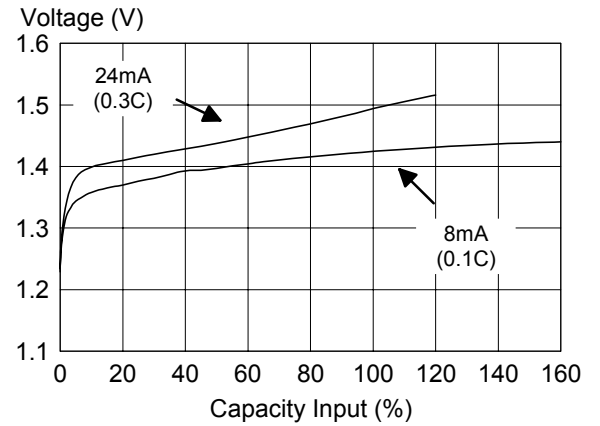


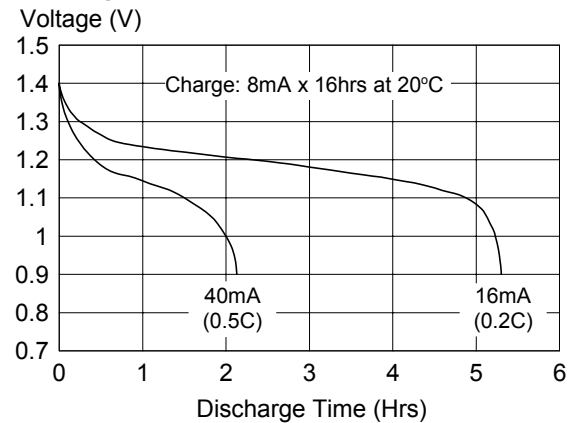
Type cod. 28608010011 :	Rechargeable Nickel Metal Hydride Button Cell	
Nominal Dimension :	Φ = 15.5mm H = 6.0mm	
Applications :	Recommended discharge current 0.8 to 40mA	
Nominal Voltage :	1.2V	
Capacity :	Minimum : 80mAh Typical : 90mAh when discharge at 0.2C to 1.0V at 20°C	
Charging Condition :	8mA for 16hrs at 20°C	
Service Life :	>500 cycles (IEC standard)	
Continuous Overcharge :	8mA maximum current for 1 year No conspicuous deformation and/or leakage	
Weight :	3.7g	
Internal Resistance :	Under 500mΩ upon fully charged	
Max. Charging Voltage :	1.5V at 8mA charging	
Ambient Temperature Range :	Standard Charging	0 to 45°C
	Discharging	0 to 45°C
	Storage	-20 to 45°C



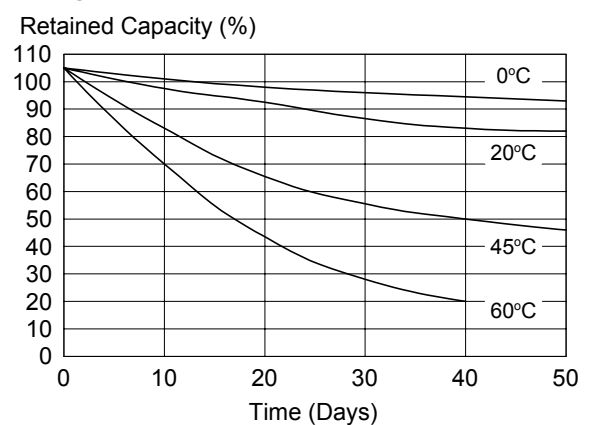
Charge Characteristics



Discharge Characteristics



Charge Retention Characteristics



* The information (subject to change without prior notice) contained in this document is for reference only and should not be used as a basis for product guarantee or warranty. For applications other than those described here, please consult your nearest GP Sales and Marketing Office or Distributors.