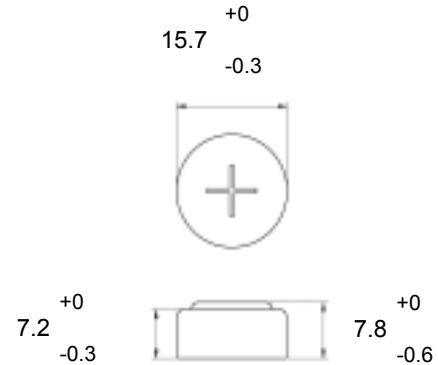


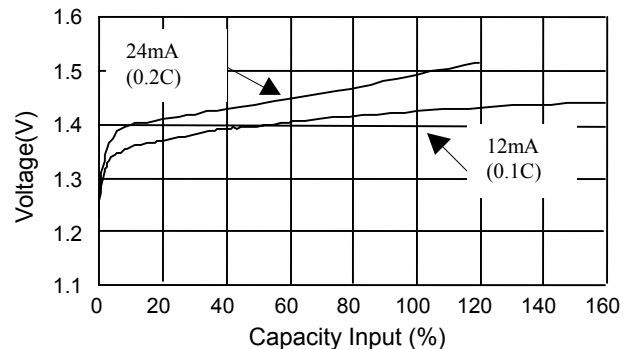
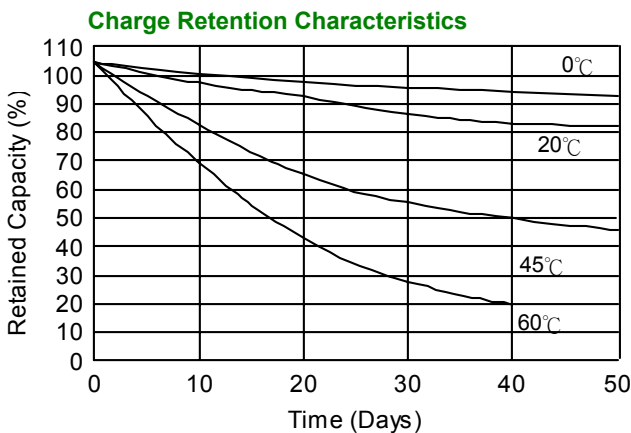
Type	: Rechargeable Nickel Metal Hydride Button Cell
Nominal Dimension (with Sleeve)	: $\Phi = 15.7\text{mm}$ H = 7.8mm
Applications	: Recommended discharge current 1.2 to 60 mA
Nominal Voltage	: 1.2V
Capacity	: Nominal: 120mAh Minimum: 120mAh Typical: 124mAh When discharged at 0.2C to 1.0V at 20°C
Charging Condition	: 12 mA for 16 hrs at 20°C
Service Life	: >500 cycles (IEC standard)
Continuous Overcharge	: 12 mA maximum current for 1 year No conspicuous deformation and/or leakage
Weight	: 4.8g
Internal Resistance	: Under 500 m Ω upon fully charged
Max. Charging Voltage	: 1.5V at 12mA charging
Ambient Temperature Range	: Standard Charging : 0 to 45°C Discharging : 0 to 45°C Storage : -20 to 45°C

Model No.: GP150BVH

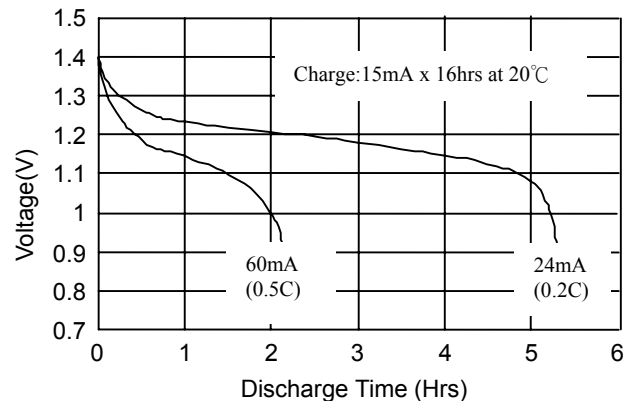


Unit : mm

Charge Characteristics



Discharge Characteristics



The information (subject to change without prior notice) contained in this document is for reference only and should not be used as a basis for product guarantee or warranty. For applications other than those described here, please consult your nearest GP Sales and Marketing Office or Distributors.