

Ni-MH Battery

250H

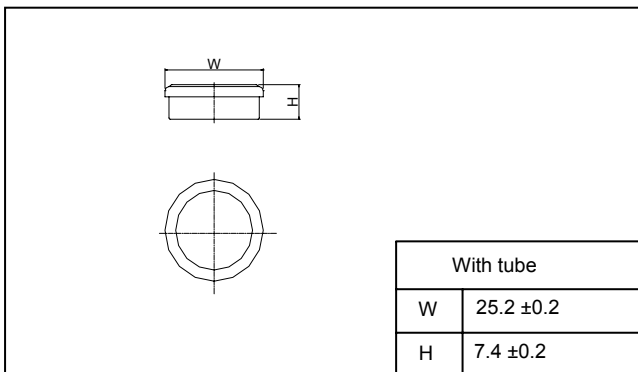
Data Sheet

Nominal Voltage:	1.2 V
Nominal Capacity:	280 mAh
Standard Charge:	28 mA, 14 hrs
Trickle Charge:	8.4 mA
Rapid Charge:	56 mA, 6 hrs
Continuous Discharge:	less than 140 mA
Final Discharge Voltage:	1.0 V (less than 0.2C)
Weight:	11.3 g (approx)
Service Life:	≥ 500 cycles
(According to IEC 61951-2-2001)	
Internal Resistance:	600 mΩ (Approx)
Ambient Temperature: Standard charge:	0 ~ 45°C
	Trickle Charge: 0 ~ 45°C
	Rapid charge: 10 ~ 45°C
	Discharge: -10 ~ 45°C
Store (65+20% RH): Less than 1 week:	-20 ~ 55°C
	Less than 1 month: -20 ~ 50°C
	Less than 6 months: -20 ~ 45°C
	Less than 2 years: -20 ~ 35°C

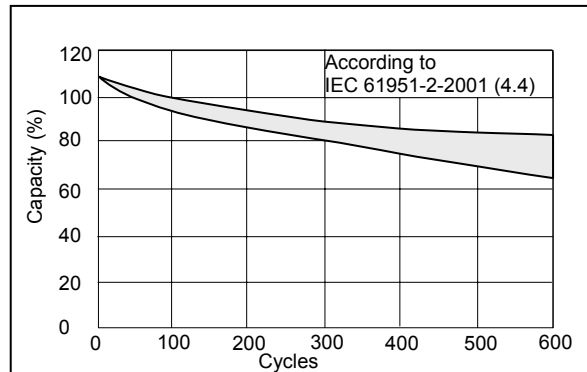
Note:

- Capacity obtained after charge at 0.1C for 14 hrs and discharge at 0.2C to 1.0V at 20°C

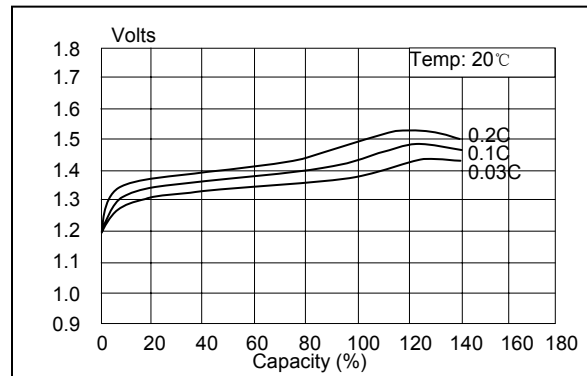
Dimensions (mm)



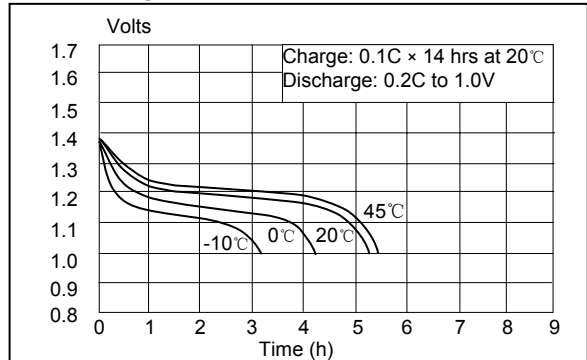
Cycle Life Characteristics



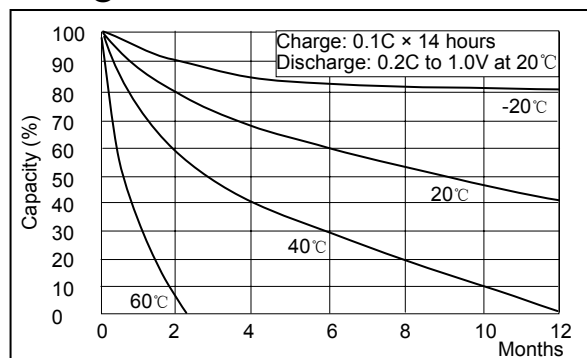
Charging Characteristics



Discharge Characteristics



Storage Characteristics



All data contained herein is for single cell and may vary for cell with specific configuration, subject to change without prior notice.