

ACCU ITALIA SpA

Ni-MH Battery

AA80 (HR15/49)

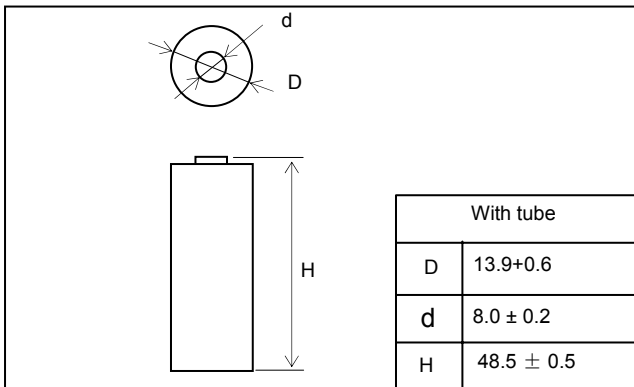
Data Sheet

Nominal Voltage:	1.2 V
Nominal Capacity:	820 mAh
Minimal Capacity:	800 mAh
Standard Charge:	80 mA, 16 hrs
Rapid Charge:	800 mA, 1.2 hrs (control required)
Max. Continuous Discharge:	less than 2400 mA
Final Discharge Voltage:	1.0 V (less than 1.0C)
Weight:	15 g (Approx)
Service Life:	≥ 500 cycles
(According to IEC 61951-2-2003)	
Internal Resistance:	≤ 35 mΩ (Approx)
Ambient Temperature:	Standard charge: 0 ~ 45°C
	Rapid charge: 0 ~ 40°C
	Discharge: -20 ~ 50°C
Store (65+20% RH):	Less than 360 days: -20 ~ 30°C
	Less than 90 days: -20 ~ 40°C
	Less than 30 days: -20 ~ 50°C

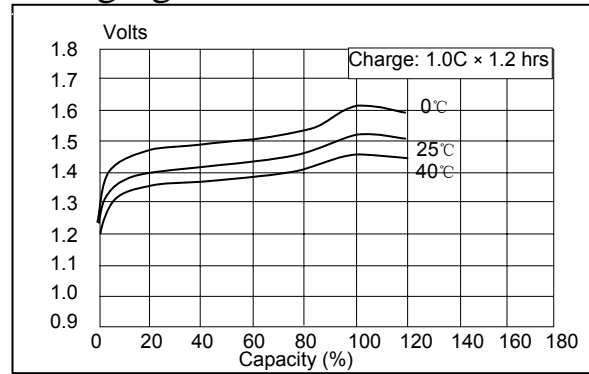
Note:

- Capacity obtained after charge at 0.1C for 16 hrs and discharge at 0.2C to 1.0V at 25°C
- Control required: 1) $-\Delta V$: 0 ~ 5mV
2) $d T / d t$: 0.8°C / min
3) T_{co} : 45 ~ 50°C

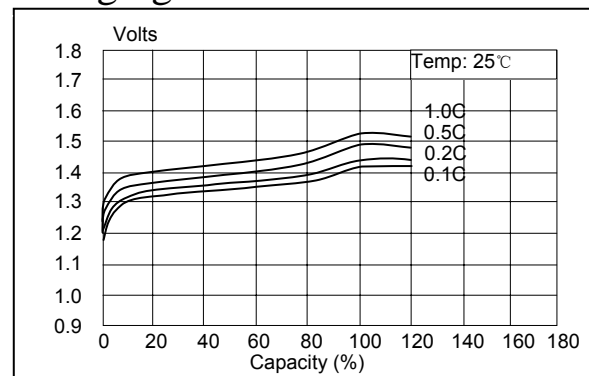
Dimensions (mm)



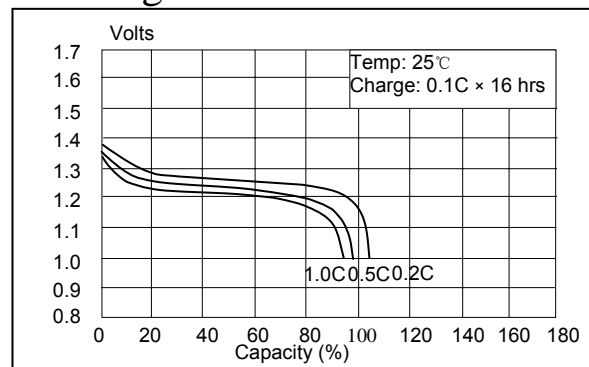
Charging Characteristics (I)



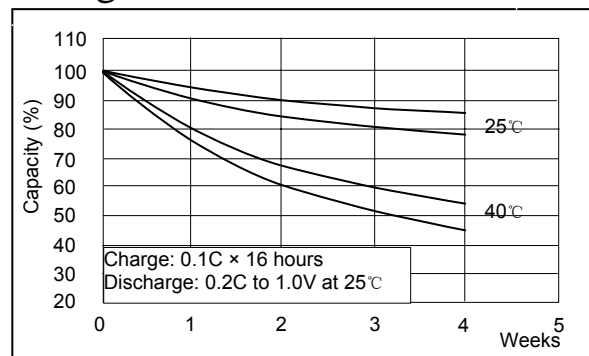
Charging Characteristics (II)



Discharge Characteristics



Storage Characteristics



All data contained herein is for single cell and may vary for cell with specific configuration, subject to change without prior notice.