

**Ni-MH Battery**

**A250 (HR17/50)**

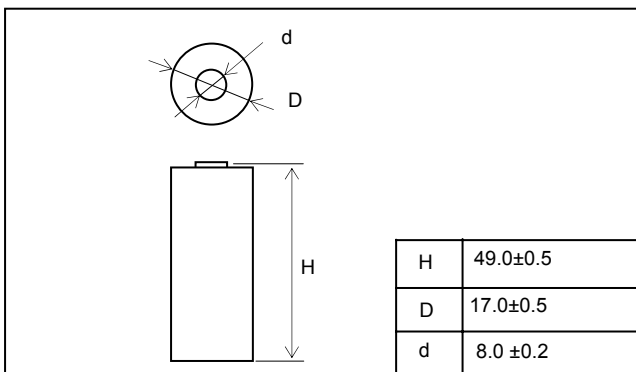
**Data Sheet**

Nominal Voltage:	1.2 V
Nominal Capacity:	2500 mAh
Minimal Capacity:	2450 mAh
Standard Charge:	250 mA, 15 hrs
Rapid Charge:	1250 mA, 2.2 hrs (control required)
Continuous Discharge:	less than 7500 mA
Final Discharge Voltage:	1.0V (less than 1.0C)
Weight:	35 g (Approx)
Service Life:	≥ 500 cycles (According to IEC standard)
Internal Resistance:	≤ 25 mΩ (Approx)
Ambient Temperature:	Standard charge: 0~45°C Rapid charge: 10~40°C Discharge: -20~50°C
Store (65+20% RH):	Less than 30 days: -20~45°C Less than 90 days: -20~35°C Less than 360 days: -20~25°C

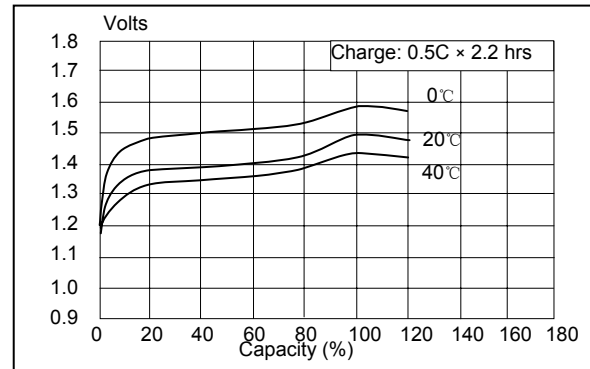
**Note:**

- Capacity obtained after charge at 0.1C for 14 hrs and discharge at 0.2C to 1.0V at 20°C
- Control required: 1)  $-\Delta V$ : 0 ~ 5 mV  
2)  $d T / d t$ : 0.8°C / min  
3)  $T_{co}$ : 45 ~ 50°C

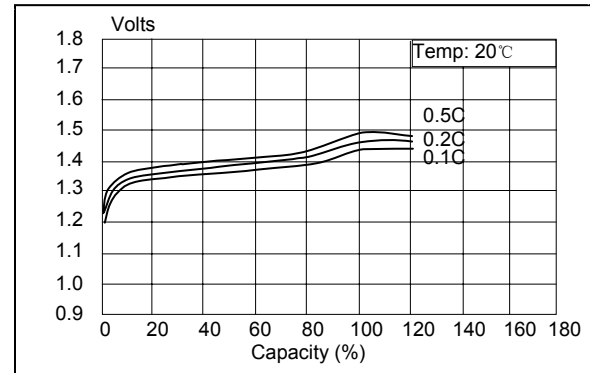
**Dimensions (mm)**



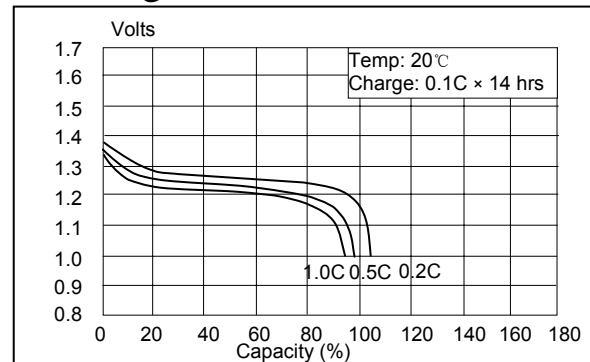
**Charging Characteristics ( I )**



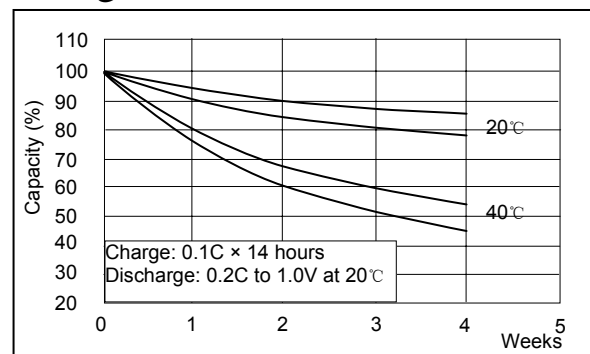
**Charging Characteristics ( II )**



**Discharge Characteristics**



**Storage Characteristics**



All data contained herein is for single cell and may vary for cell with specific configuration, subject to change without prior notice.