

Ni-MH Battery

D500C (HR33/62)

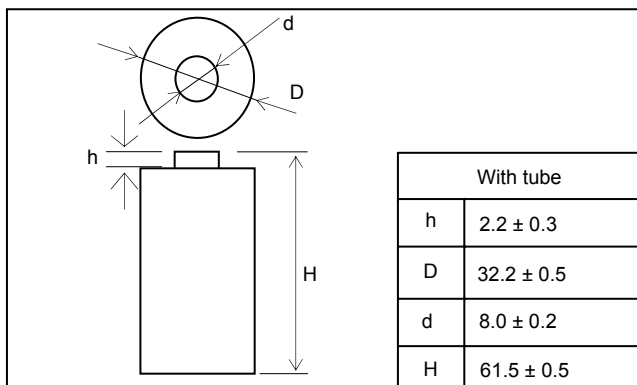
Data Sheet

| | |
|---------------------------------|-----------------------------------|
| Nominal Voltage: | 1.2 V |
| Nominal Capacity: | 5100 mAh |
| Minimal Capacity: | 5000 mAh |
| Standard Charge: | 500 mA, 15 hrs |
| Rapid Charge: | 1500 mA, 4 hrs (control required) |
| Continuous Discharge: | less than 10000 mA |
| Final Discharge Voltage: | 1.0 V (less than 1.0C) |
| Weight: | 115 g (Approx) |
| Service Life: | ≥ 500 cycles |
| (According to IEC 61951-2-2003) | |
| Internal Resistance: | 15 mΩ (Approx) |
| Ambient Temperature: | Standard charge: 0~45°C |
| | Rapid charge: 10~35°C |
| | Discharge: -20~50°C |
| Store (65+20% RH): | Less than 360 day: -10~20°C |
| | Less than 90 day: -10~30°C |
| | Less than 30 day: -10~40°C |

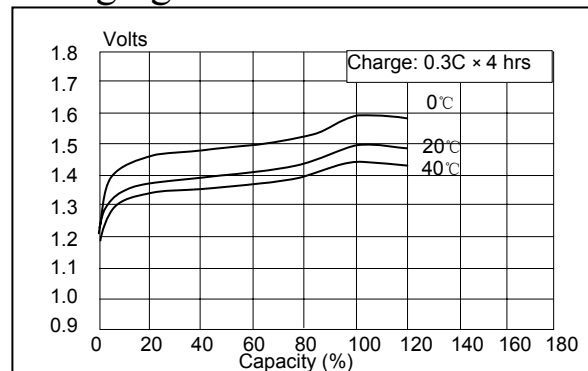
Note:

- Capacity obtained after charge at 0.1C for 15 hrs and discharge at 0.2C to 1.0V at 20°C
- Control required: 1) ΔV : 0 ~ 5mV
 2) $d T / d t$: 0.6°C / min
 3) T_{co} : 45 ~ 50°C

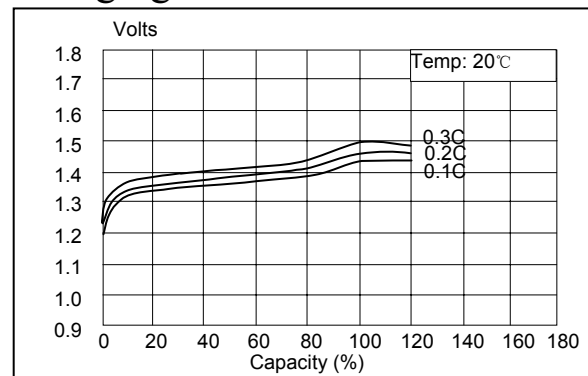
Dimensions (mm)



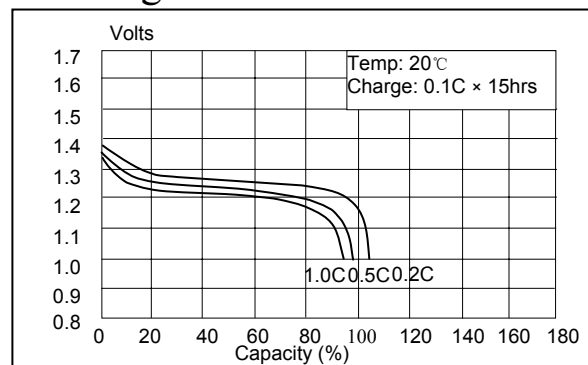
Charging Characteristics (I)



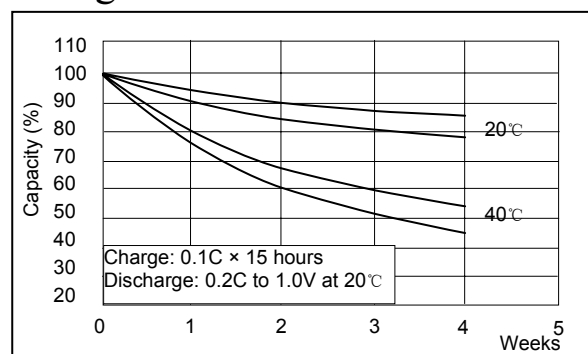
Charging Characteristics (II)



Discharge Characteristics



Storage Characteristics



All data contained herein is for single cell and may vary for cell with specific configuration, subject to change without prior notice.